

MODEL SERIES AGV/AMR ROBOCADDY

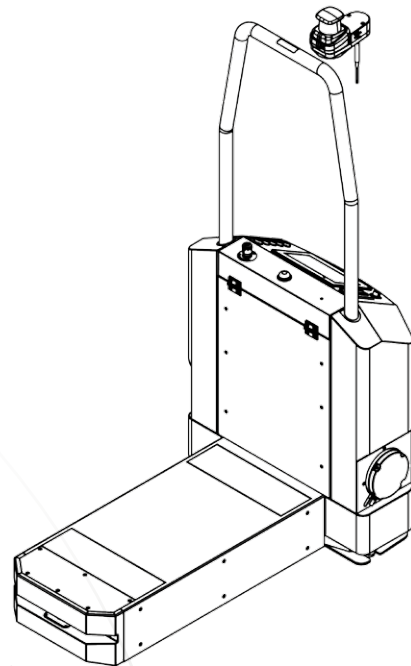
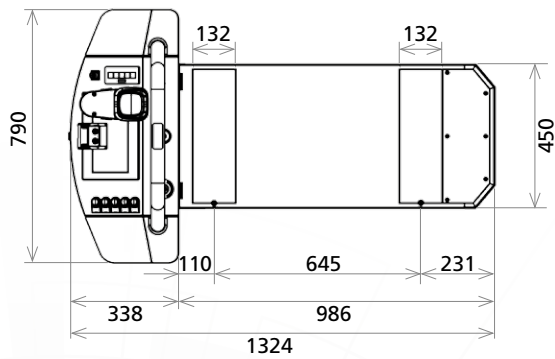
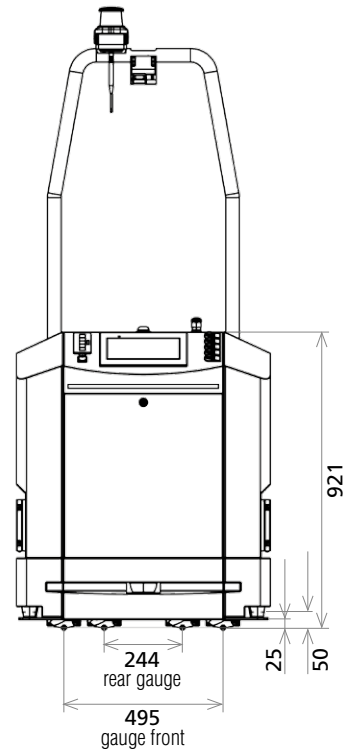
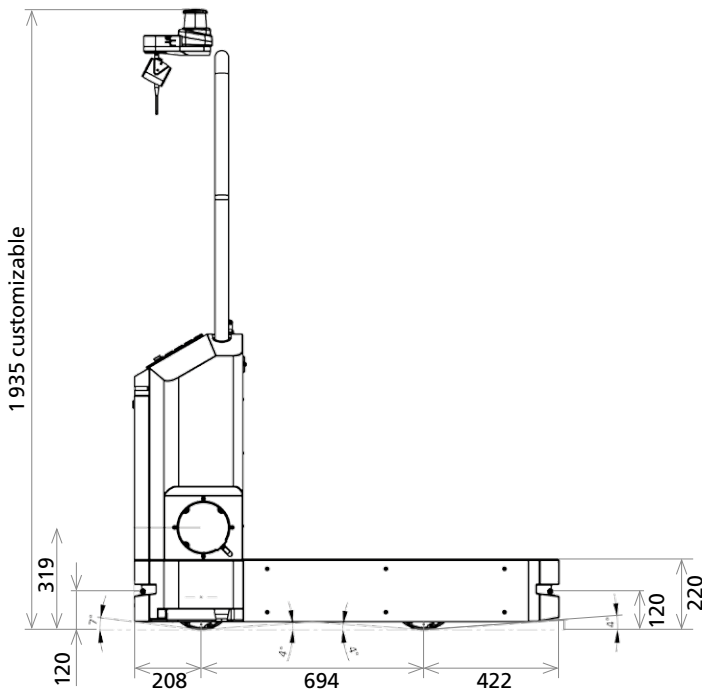
The AGV/AMR of the RoboCaddy III model series is a variable platform autonomous vehicle produced in various modifications for a given customer application.

AGV/AMR ROBOCADDY III	
Dimensions	
Length	1 324 mm*
Width / Width of cargo area	790 mm / 450 mm
Height ramps / Height of cargo area	1935 mm / 220 mm
Clearance height	25 mm
Lift height	85 mm
Weight	300 kg
Payload	
AGV/AMR payload	450-750 kg
Towing capacity	N/A
Move	
Speed	1,2 m/s (0,5m/s**)
Move / Drive	Bidirectional / Differential
Customer extension	
Safety devices	Yes
Type extension	Belt conveyors, roller conveyors, robots
Safety	
Safety devices	3x scanner 270°
Additional safety devices	1x 3D scanner a 1x rear scanner
Power	
Battery	LiFePO4 / 24 V / 52 Ah
Charger	Wireless charging station 24 V / 20 A
Navigation	
Type of navigation	Magnetic tape / SLAM / QR Code
Environment	
IP class	IP 20
Ambient temperature range	10-45 °C

*The length is optional. **Speed with full load.



RoboCaddy III – basic configuration



ServisControl s.r.o. confirms that **4IGV s.r.o., Czech Republic**, demonstrates the capability to provide consulting, installation, and support services for ServisControl, as well as a commitment to further education, and is therefore certified as a **ServisControl PARTNER**.



Office address
4IGV s.r.o.
 Vlastibořská 2787/5
 P3 logistics parks
 193 00 Prague 20
 Horní Počernice

Company headquarters
4IGV s.r.o.
 Haštalská 1072/6
 110 00 Prague 1
 IČ: 11796715

+420 732 603 712
 +420 732 170 289
 +420 605 750 271
 info@4igv.cz
www.4igv.cz