

MODEL SERIES AGV/AMR ROBOMECC

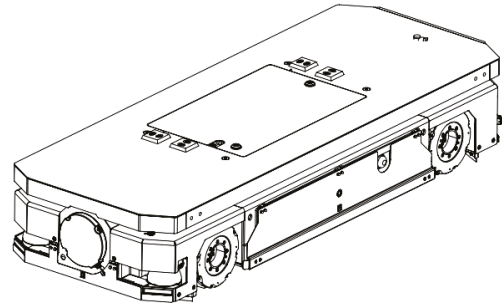
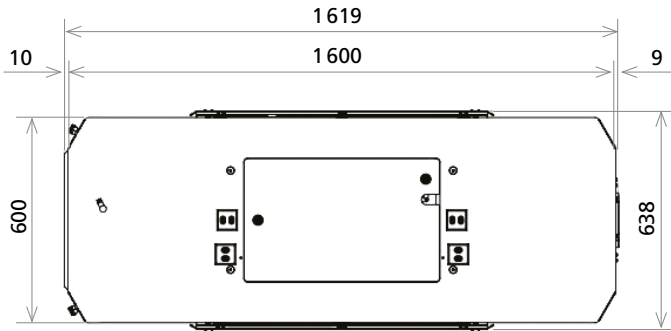
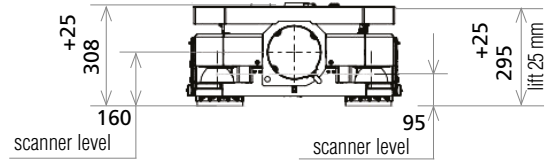
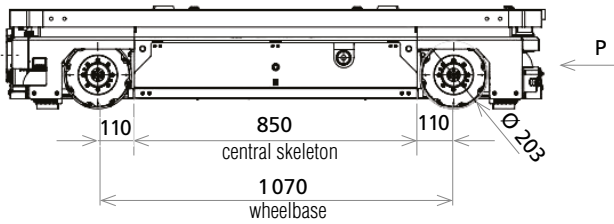
The AGV/AMR of the RoboMec model series is a variable autonomous vehicle platform produced in various modifications for specific customer applications. Thanks to the chassis equipped with Mecanum Wheels, the AGV/AMR can move omnidirectionally, including real-time crab movement and rotation around its axis.



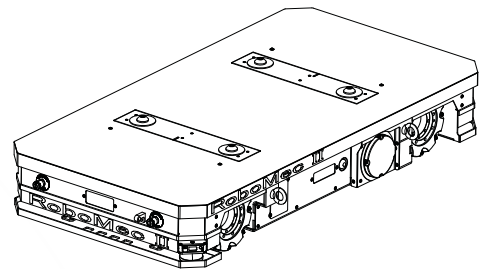
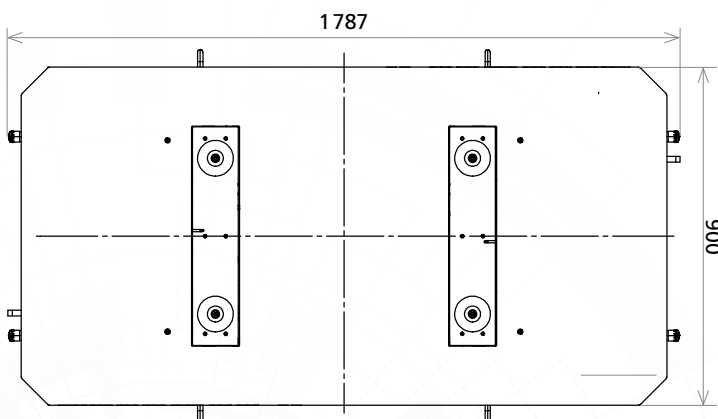
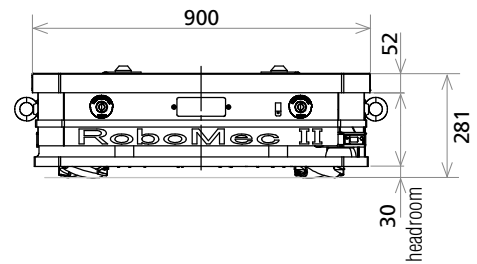
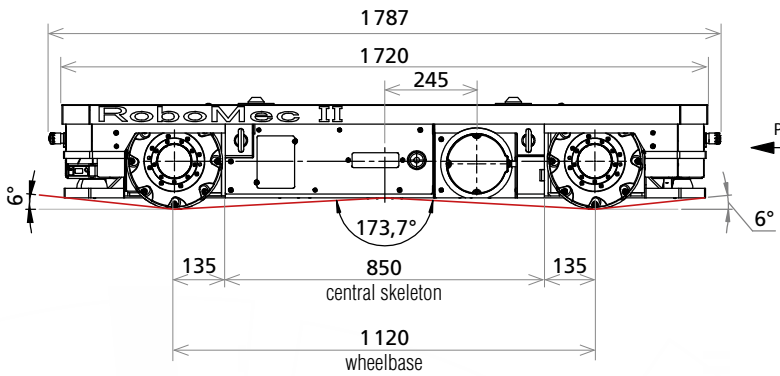
| | AGV/AMR ROBOMECC I | AGV/AMR ROBOMECC II |
|---------------------------|---|------------------------|
| Dimensions | | |
| Length | 1 600 mm | 1 720 mm |
| Width | 600 mm | 900 mm |
| Height | 300 mm* | 280 mm |
| Clearance height | 40 mm | 40 mm |
| Lifting height | 25-65 mm** | 120 mm |
| Weight | 340 kg | 420 kg |
| Payload | | |
| AGV/AMR payload | 400-750 kg | 850 kg |
| Towing capacity | N/A | 1 000 kg |
| Move | | |
| Speed | 1,2 m/s (0,5 m/s***) | |
| Move / drive | Omnidirectional / 4 mecanum driven wheels | |
| Customer extension | | |
| Extension | Yes | |
| Type extension | Belt conveyors, roller conveyors, robots | |
| Safety | | |
| Safety devices | 2-3 scanners 270° / 2-4 bumpers | scanners 270° |
| Power | | |
| Battery | LiFePO4 / 48 V / 40 Ah | LiFePO4 / 48 V / 52 Ah |
| Charger | Wireless charging station 48 V / 20 A | |
| Navigation | | |
| Typ navigace | Magnetic tape / SLAM / QR Code | |
| Environment | | |
| IP class | IP 20 | |
| Ambient temperature range | 10-45 °C | |

*Optionally also a version with height 220 mm, **Optionally also a version with lift 70 mm, ***Speed with full load.

RoboMec I – the basic configuration



RoboMec II – the basic configuration



ServisControl s.r.o. confirms that **4IGV s.r.o., Czech Republic**, demonstrates the capability to provide consulting, installation, and support services for ServisControl, as well as a commitment to further education, and is therefore certified as a **ServisControl PARTNER**.



Office address
4IGV s.r.o.
 Vlastibořská 2787/5
 P3 logistics parks
 193 00 Prague 20
 Horní Počernice

Company headquarters
4IGV s.r.o.
 Haštalská 1072/6
 110 00 Prague 1
 IČ: 11796715

+420 732 603 712
 +420 732 170 289
 +420 605 750 271
 info@4igv.cz
www.4igv.cz